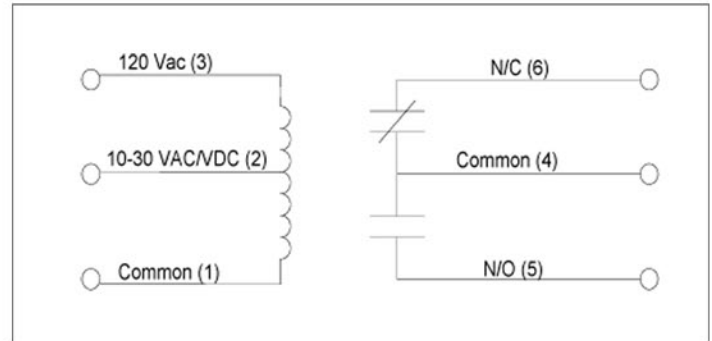
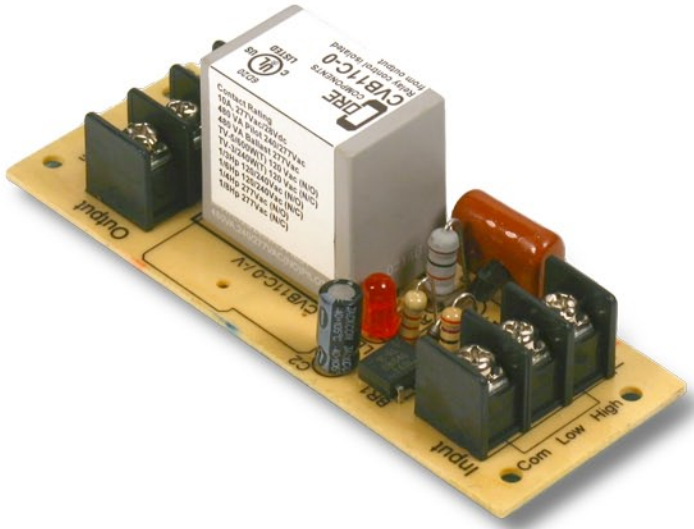


OPEN RELAY MODULE

LD41017

CVB11C-0

Track Mounted 10A Power Relay
10-30 Vac/Vdc / 120 Vac 50-60 Hz



Connections & Indicators

SPECIFICATIONS

# Relays & Contact Style	One (1) SPDT
Expected Relay Life (Mechanical)	10 Million Operations Minimum
Operating Temperature	-40 to 150° F
Humidity	95% (Non-Condensing)
Status Indication	LED = Activated
Dimensions	4" x 1.25" x 2.5"
Mounting Style	Snap-Track®
Connections	8.5mm centers terminal block with wire hold-downs, universal screws
Approvals	UL 508, C-UL Canada Industrial Control Device,
Override controls	None
Dry Circuit Operation	Optional

Accessory Item: Mounting Track Section # ZZ73020

COIL CURRENT

30 mA @ 10 Vac	12 mA @ 10 Vdc
32 mA @ 12 Vac	14 mA @ 12 Vdc
42 mA @ 24 Vac	16 mA @ 24 Vdc
50 mA @ 30 Vac	18 mA @ 30 Vdc
35 mA @ 120 Vac	

COIL VOLTAGE INPUT

10-30 Vac / Vdc / 120 Vac 50-60 Hz
 DROP OUT = 2.0 Vac / 2.8 Vdc / 35 Vac
 PULL IN = 9 Vac / 10 Vdc / 105 Vac

CONTACT RATING

10 Amps Resistive	28 Vdc / 277 Vac
480 VA Pilot Duty	240 / 277 Vac
480VA Ballast	277 Vac
TV-5 (N/O)	120 Vac
TV-2(N/C)	120 Vac
Tungsten 240W (N/C)	120 Vac
Tungsten 600W (N/O)	120 Vac
1/3 hp (N/O)	120 Vac / 240 Vac
1/4 hp (N/C)	277 Vac
1/6 hp (N/C)	120 Vac / 240 Vac
1/8 hp (N/C)	277 Vac



File # E202892
 Industrial Control Device UL508