

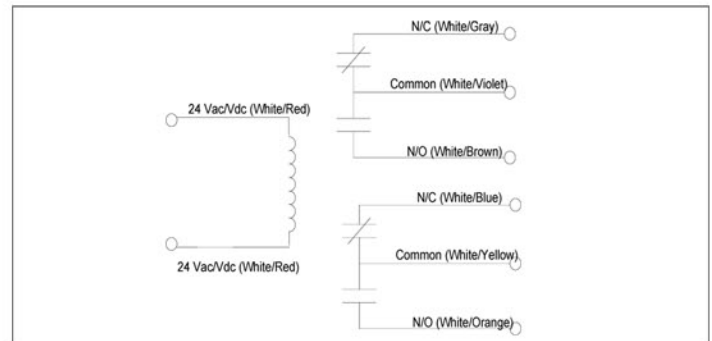
# ENCLOSED RELAY MODULE

## LD95100

## CVR12C-0



### Enclosed 20A Relay Module 24 Vac/Vdc / 300V Coil



Each device is individually packaged and shipped with 2 mounting screws and 1/2" conduit nut

#### SPECIFICATIONS

# Relays & Contact Style	One (1) DPDT
Expected Relay Life (Mechanical)	10 Million Operations Minimum
Operating Temperature	-40 to 150° F
Humidity	95% (Non-Condensing)
Status Indication	LED = Activated
Dimensions	4" x 4" x 1.8"
Mounting Style	1/2-14 NPT Nipple Integral
Lead Wire Length	24" Nominal
Approvals	UL 508, C-UL Canada Industrial Control Device, UL2043 Fire Test
Housing	Cycloloy C2950 UL94-5V, Plenum, NEMA1
Override controls	None
Dry Circuit Operation	Optional

#### COIL CURRENT

125 mA @ 24 Vac	50 mA @ 24 Vdc
100 mA @ 18 Vac	70 mA @ 30 Vdc
Rated 24-30 Vdc	18-24 Vac, 60 Hz

#### COIL VOLTAGE INPUT

24 Vac / Vdc 50-60 Hz  
 DROP OUT = 5.5 Vac / 6.5 Vdc  
 PULL IN = 12 Vac / 17 Vdc

#### CONTACT RATING

20 Amps Resistive	15 Vdc / 300 Vac
13A Resistive	28 Vdc
5A Resistive	600 Vac
20A Ballast	277 Vac 50/60 Hz
660 VA Pilot Duty	120 Vac
915 VA Pilot Duty	208 Vac
960 VA Pilot Duty	240 Vac
765 VA Pilot Duty	480/600 Vac
B600 Pilot Duty	
1 hp	120 Vac
1 1/2 hp	208/240 Vac
1 hp	480/600 Vac



File # E202892  
 Industrial Control Device UL508  
 Fire Tested for Heat & Visible Smoke Release  
 In Air Handling Spaces UL2043