

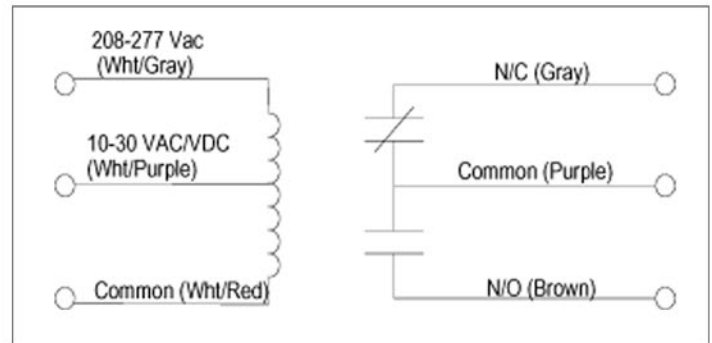
ENCLOSED RELAY MODULE

LD96152

CVR11C-V



Enclosed 10A Relay Module 10-30 Vac/Vdc / 208/277 Vac Coil



Each device is individually packaged and shipped with 2 mounting screws and 1/2" conduit nut

SPECIFICATIONS

# Relays & Contact Style	One (1) SPDT
Expected Relay Life (Mechanical)	10 Million Operations Minimum
Operating Temperature	-40 to 150° F
Humidity	95% (Non-Condensing)
Status Indication	LED = Activated
Dimensions	1.7" x 2.8" x 1.5"
Mounting Style	1/2-14 NPT Nipple Integral
Lead Wire Length	24" Nominal
Approvals	UL 508, C-UL Canada Industrial Control Device, UL2043 Fire Test
Housing	Cyclopy C2950 UL94-5V, Plenum, NEMA1
Override controls	None
Dry Circuit Operation	Optional

COIL CURRENT

30 mA @ 10 Vac	12 mA @ 10 Vdc
32 mA @ 12 Vac	14 mA @ 12 Vdc
42 mA @ 24 Vac	16 mA @ 24 Vdc
50 mA @ 30 Vac	18 mA @ 30 Vdc
35 mA @ 120 Vac	

COIL VOLTAGE INPUT

10-30 Vac / Vdc / 208 / 277 Vac 50-60 Hz
 DROP OUT = 2.0 Vac / 2.8 Vdc / 80 Vac
 PULL IN = 9 Vac / 10 Vdc / 200 Vac

CONTACT RATING

10 Amps Resistive	28 Vdc / 277 Vac
480 VA Pilot Duty	240 / 277 Vac
480 VA Ballast	277 Vac
TV-5 (N/O)	120 Vac
TV-2 (N/C)	120 Vac
Tungsten 240W N/C	120 Vac
Tungsten 600W N/O	120 Vac
1/3 hp (N/O)	120 Vac / 240 Vac
1/4 hp (N/O)	277 Vac
1/6 hp (N/C)	120 Vac / 240 Vac
1/8 hp (N/C)	277 Vac



File # E202892
 Industrial Control Device UL508
 Fire Tested for Heat & Visible Smoke Release
 In Air Handling Spaces UL2043