

ENCLOSED RELAY MODULE

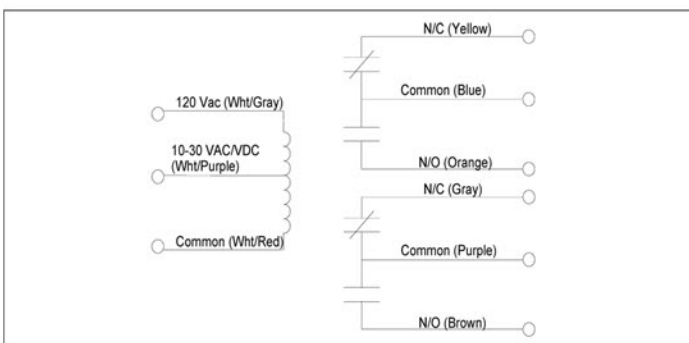
LD97440

CVR12C-F



Enclosed 10A Relay Module

10-30 Vac/Vdc / 11-30 Vdc / 120 Vac Coil



Each device is individually packaged and shipped with 2 mounting screws and 1/2" conduit nut

SPECIFICATIONS

# Relays & Contact Style	One (1) DPDT
Expected Relay Life (Mechanical)	10 Million Operations Minimum
Operating Temperature	-40 to 150° F
Humidity	95% (Non-Condensing)
Status Indication	LED = Activated
Dimensions	1.7" x 2.8" x 1.5"
Mounting Style	1/2-14 NPT Nipple Integral
Lead Wire Length	24" Nominal
Approvals	UL 508, C-UL Canada Industrial Control Device, UL2043 Fire Test
Housing	Cycloy C2950 UL94-5V, Plenum, NEMA1
Override controls	None
Dry Circuit Operation	Optional

COIL CURRENT

45 mA @ 10 Vac	40 mA @ 11 Vdc
55 mA @ 12 Vac	45 mA @ 12 Vdc
70 mA @ 24 Vac	55 mA @ 24 Vdc
75 mA @ 30 Vac	60 mA @ 30 Vdc
40 mA @ 120 Vac	

COIL VOLTAGE INPUT

10-30 Vac / 11-30 Vdc / 120 Vac 50-60 Hz
 DROP OUT = 2.0 Vac / 2.8 Vdc / 35 Vac
 PULL IN = 9 Vac / 10 Vdc / 105 Vac

CONTACT RATING

10 Amps Resistive	28 Vdc / 277 Vac
B300 Pilot Duty	240 / 277 Vac
1/2 hp (N/O)	120 Vac / 240 Vac
1/3 hp (N/C)	120 Vac / 240 Vac



File # E202892
 Industrial Control Device UL508
 Fire Tested for Heat & Visible Smoke Release
 In Air Handling Spaces UL2043