

Product Data Sheet



141X200

Replace "X" with 1, 2, 3 or 4 for number of poles

Power Splicer/Stud Block 115 Amps, 600 Volts (AC/DC)



Wire Range:

Line side: (1) #2 - #14 AWG

Load Side: (1) 10 – 32 Screw. Intended for use with Listed Crimp Type Ring or Fork Lugs

[See tables below for Flexible stranded approvals.](#)

Electrical Ratings:

- 115A copper wire, 90A aluminum wire (Based on NEC Table 310-16, 75°C columns)
- 600 Volts AC/DC (UL 1059 Class C, User Group - General Industrial)
- Factory and Field Wiring

Mechanical Ratings:

- Maximum insulator base temperature: 125°C (257°F) UL RTI
 - Storage and transportation temperature range: -35°C to 110°C (-31°F to 230°F)
 - Flammability rating of insulator base: UL 94 V-0
- * Use outside these ratings needs to be judged in the end-use application.

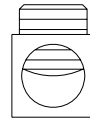
Materials:

- Connector: High conductivity aluminum, tin plated
- Insulator base: glass filled polycarbonate (thermoplastic)
- Terminal screws: Brass, nickel plated
- Connector mounting screws: Steel, zinc plated

Agency Approvals:

- UL Recognized, UL 1059 Terminal Block Standard, File No. XCFR2.E62806
- CSA Certified, CSA C22.2 No. 158, File No. LR19766 (Wire Classes B & C only)
- CE compliant to IEC 60947-7-1
- RoHS Compliant

Wire Approvals:



Line Side Wire Approvals:

		Copper Wire Stranding Classes - Number of Strands						
Wire Size	Torque	Solid	Class B	Class C	Class G	Class H	Class I	Class K
2 AWG	50 in. lbs		7	19				
4	45 in. lbs		7	19	~ 49	~ 133	~ 105	~ 420
6	45 in. lbs		7	19	~ 49	~ 133	~ 63	~ 266
8	40 in. lbs		7	19	~ 49	~ 133	~ 41	~ 168
10	35 in. lbs	1	7	19			~ 27	~ 104
12	35 in. lbs	1	7	19			~ 19	~ 65
14	35 in. lbs	1	7	19			~ 19	~ 41

~Quantity of strands for Classes G, H, I, K may vary by manufacturer.

Aluminum stranded wire range: #2 – #12 AWG

~ Quantity of strands for Classes G, H, I, K may vary by manufacturer.

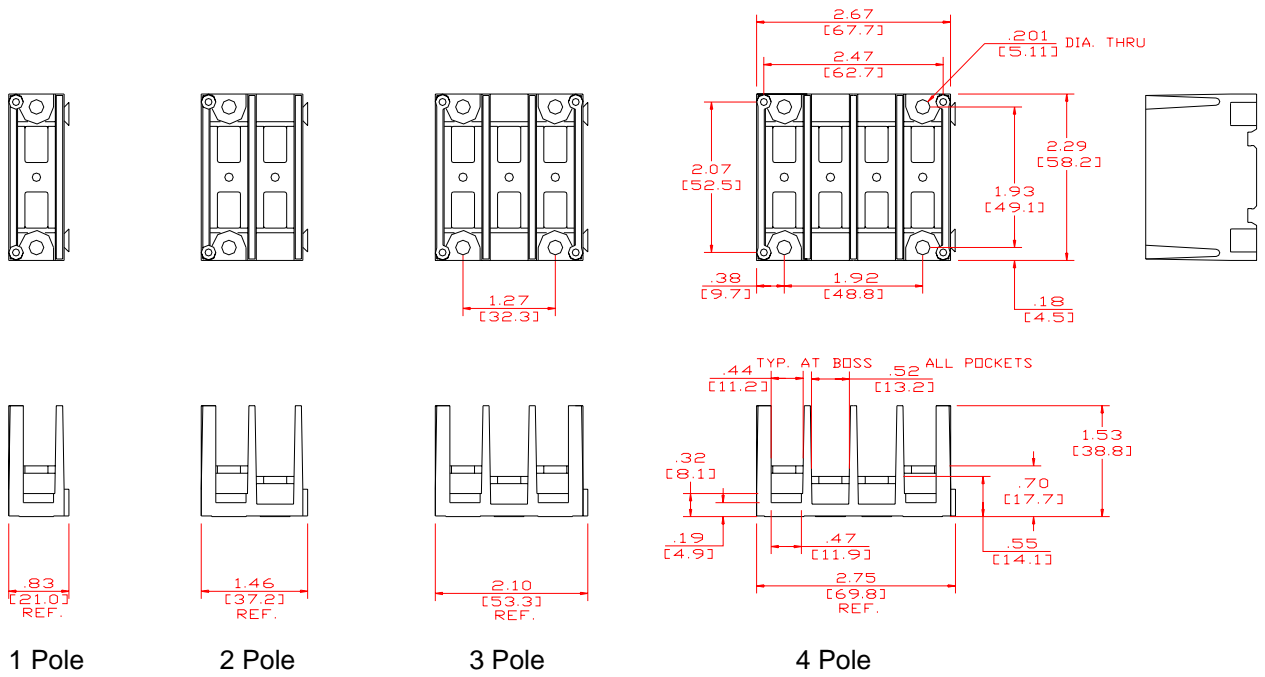
Load Side Wire Approvals:

Intended for use with Listed Crimp Type Ring or Fork Lugs

- Wire strip length, line side tap – 9/16"
- Panel mountable: #10 fastener, torque to 25-30 in. lbs.

Accessories:

- Cover: Clear protective plastic cover. Catalog description CC141X ("X" numbers of poles: 1,2, 3 or 4)
- Marking strip: White vinyl strip to mark circuits. Supplied with mounting screws.
- Printing available. Consult factory.



WWW.MARATHONSP.COM
1-419-352-8441

PDS 0345 REV A 11/06/08