

120Vac to 24Vac/Vdc Power Supply **Catalog # LD01101** (CPB120-24D-36 Rev A)

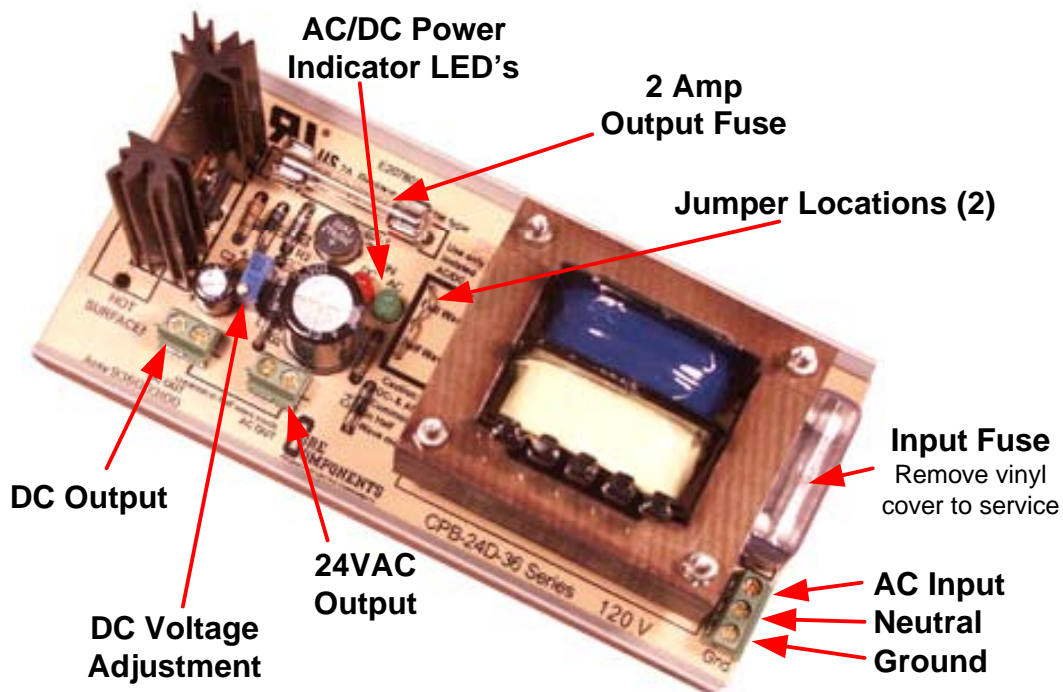
24Vac to 24Vac/Vdc Isolating Power Supply **Catalog # LD01121** (CPB24-24D-36 Rev A)



Recognized Power Supply  
E207801

## Installation and Operation Instructions

4-2004

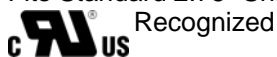


**Input:** 120VAC 60Hz, 45VA (Model CPB120-24D-36)(Cat. # LD01101) Input Fuse1A  
OR 24VAC 60Hz, 45VA (Model CPB24-24D-36) (Cat. # LD01121) Input Fuse 2.5A

**Output:** **Rated 24VDC @ 1.5A Max. 36W / 24VAC @1.5A**  
DC output is adjustable 1.2VDC to 28VDC Max by use of an on-board potentiometer.  
Max output current is limited to  $I_{out} = 1.5 * V_{out} / 24$ .

*Attempts to draw excess output current may result in overheating and unintended shutdown of the unit.*

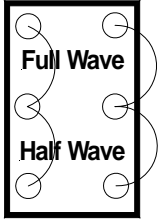
**Features:** Max combined AC & DC output current 1.5A; DC internally limited.  
Provides a single power source for the entire system.  
Output D.C. Short Circuit protection fully automatic.  
Allows use of AC and DC simultaneously  
Output Fuse protects unit from accidental ground faults  
Fused input protects transformer primary  
Internal Thermal overload protection  
DC Mode Selection, Full or Half Wave  
Fits Standard 2.75" Snap-Trak® for easy mounting



**CAUTION! PRIOR TO APPLICATION OF POWER TO THE UNIT, THE INSTALLER MUST SELECT EITHER FULL OR HALF WAVE OPERATION FOR THE D.C. OUTPUT.**

**APPLICATION OF POWER BEFORE SELECTION AND MODIFICATION OF JUMPERS WILL CAUSE THE OUTPUT FUSE TO BLOW AND MAY DAMAGE THE UNIT!**

**Installation:** Installation of the Power Supply is as simple as selecting the DC power mode desired and connecting the input to the correct source of AC power. Determine the DC power mode to be used. If the unit is to be used to supply DC voltage only, or if AC is also desired and it does not share the same common ground with the DC output, select the Full Wave mode for best regulation. **Note that in Full Wave Mode the AC and DC output cannot share a common ground and only isolated applications should be used**. If a Common ground is required for the DC source and other system components, use the Half Wave mode and Output (-) as the common ground. Selection is made by removal of the unwanted jumpers, cut the Half Wave side if full wave operation is desired, the Full Wave side if common grounds are to be employed. **BOTH JUMPERS MUST BE CUT**



**Adjustment:** . Factory set at 24VDC the unit can be adjusted to any desired voltage range by use of the on-board multi-turn potentiometer. The unit may be used with a wide variety of DC outputs. Adjustment of the output voltage is made by attaching a voltmeter to the output terminals and adjusting the multi-turn potentiometer to the desired value. **Adjustment for applications other than the factory preset 24VDC should be made prior to connecting the load to avoid damage to other components. CAUTION! Temperature and current limiting internally protect the unit; excessive current drain will cause the unit to shut down unexpectedly!**

### **Important Notice**

Customers are responsible for their products and applications using CORE products. To minimize the risks associated with such applications, customers should provide adequate design and operating safeguards. **This product is not intended for use in systems intended for life sustaining or life safety applications.** The manufacturer warrants performance of its hardware products to the specifications applicable at the time of sale in accordance with its standard warranty policy. The manufacturer reserves the right to make corrections, modifications and improvements, and to discontinue any product without further notice.

### **Limited Warranty**

This product is warranted to be free of manufacturing defects under normal operating use and conditions for the period of one (1) year from the date of purchase. This warranty does not apply to: 1.) Damage caused by accident, misuse, or mishandling 2.) Units that have been opened or modified 3.) Units not utilized in accordance with published specifications 4.) Damages caused by lightning, flood or other act of nature. If warranty service is required during the covered period, and examination proves to the satisfaction of the manufacturer that the product was originally defective then the manufacturer will at its sole option repair or replace the defective unit without charge upon prepaid delivery of the product to the factory along with suitable proof of purchase. Correction of defects by repair or replacement shall constitute the sole responsibility of the manufacturer. The manufacturer shall not be liable for loss, damage, or expense directly or indirectly related to the use of this product or from the failure of the product to perform as expected. This warranty supercedes and is in lieu of all other warranties expressed or implied and all other liabilities of the manufacturer. No person, agent, or dealer is authorized to make any other warranty or assume any other obligation on behalf of the manufacturer in connection with any of its products. For warranty service contact the manufacturer for a RMA at the address given below. This warranty gives you specific legal rights; you may be entitled to other rights that may vary from state to state.

### **Core Components**

Tel 800-216-CORE Fax 630-690-0781

[www.corecomponents.com](http://www.corecomponents.com)

P/N 930600210-Rev 3-04 052005