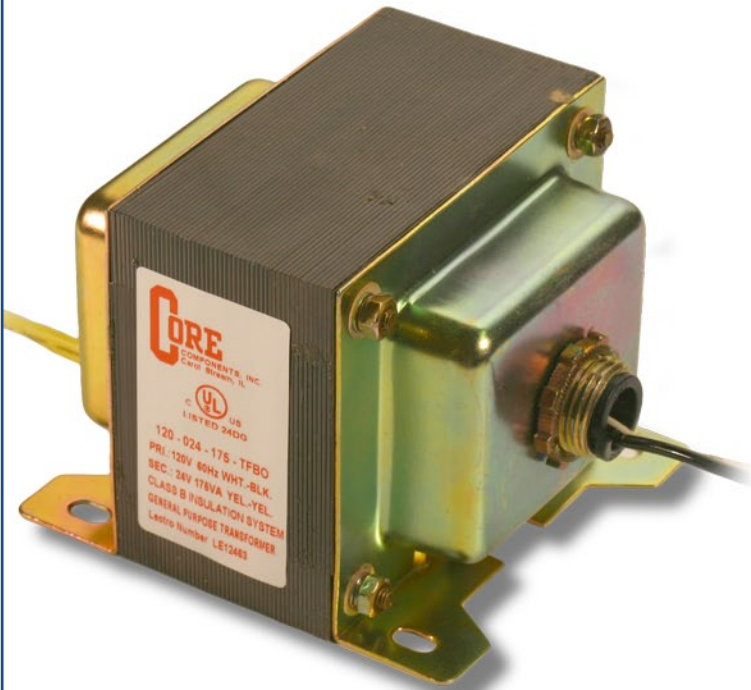


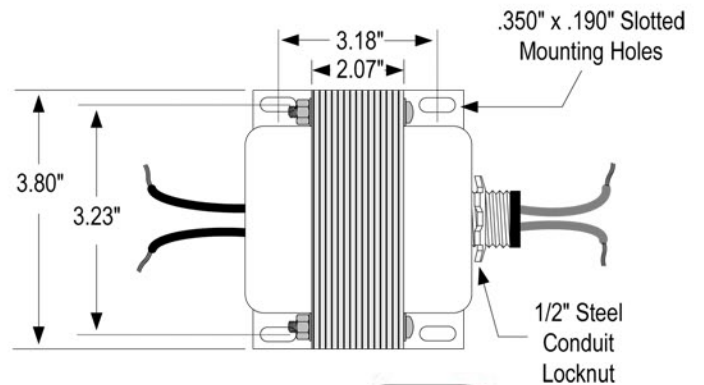
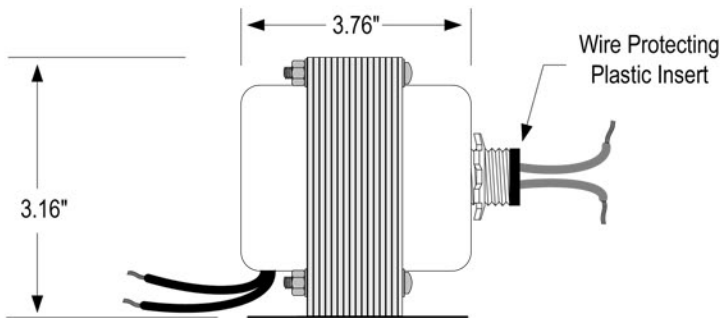
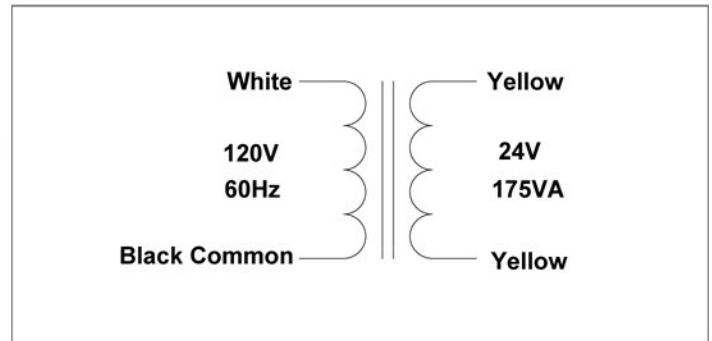
ENCLOSED CONTROL TRANSFORMER

LE12463

120-024-175-TFBO



175_{Va}



SPECIFICATIONS

Input:	120 Vac
Output:	24 Vac
VA Rating:	175VA
Frequency:	60Hz
Circuit Protection:	Internally Protected
Configuration:	Enclosed Split Bobbin Design with Steel End Bells
Mounting(s):	Slotted Foot Mounts & Threaded Flange Hubs
Primary Connections:	UL 1015 Insulated 18AWG Lead Wires, 12" Long, .375" ends Stripped & Tinned
Secondary Connections:	UL 1015 Insulated 14AWG Lead Wires, 12" Long, .375" ends Stripped & Tinned
Insulation System:	UL 1446 Recognized Component Class B Insulation System PG125 (130°C, 266°F)
Agency Approvals:	UL506 Recognized for USA & Canada. General Purpose Transformer

