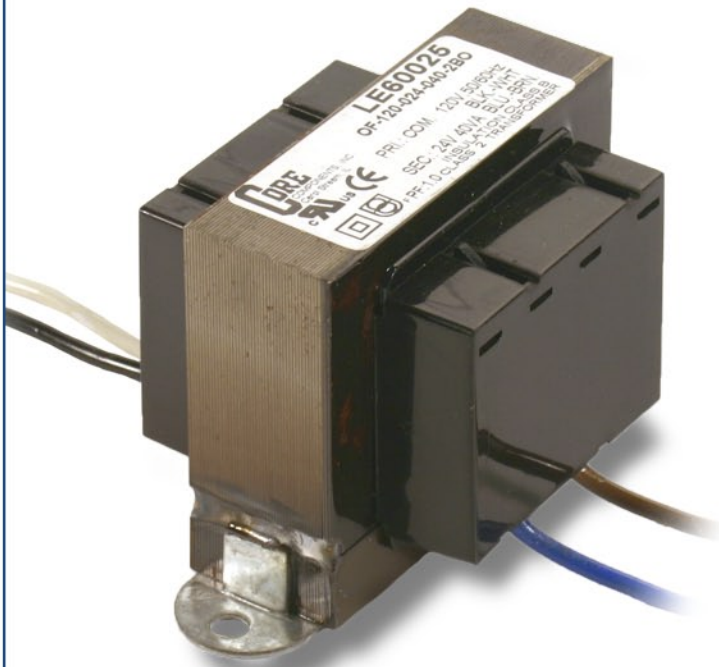


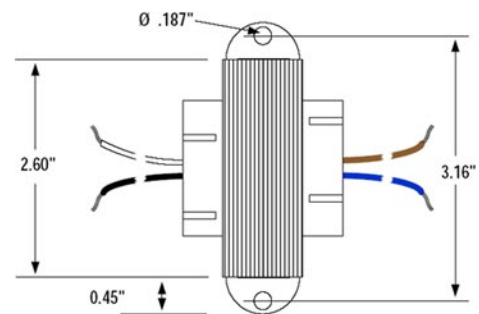
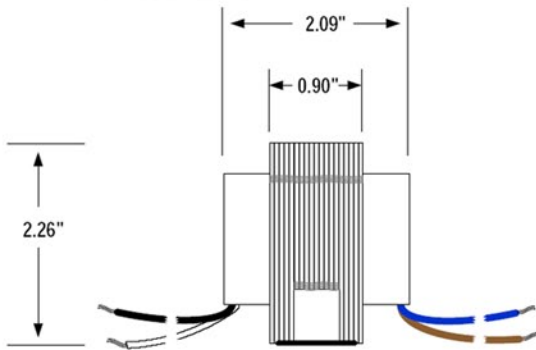
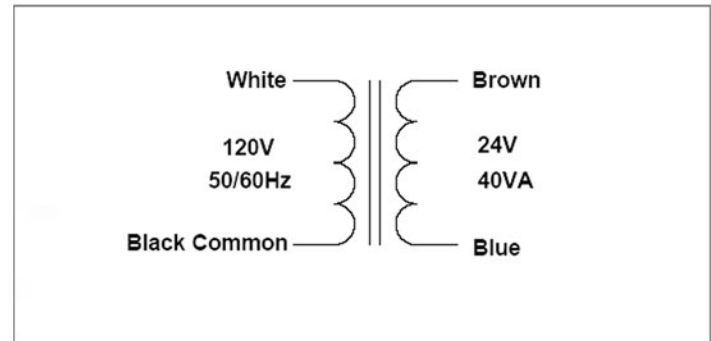
# OPEN FRAME TRANSFORMER

## LE60025

## OF-120-024-040-2BO



# 40va



### SPECIFICATIONS

<b>Input:</b>	120Vac
<b>Output:</b>	24 Vac
<b>VA Rating:</b>	40 VA
<b>Frequency:</b>	50/60Hz
<b>Circuit Protection:</b>	Inherently Limited
<b>Configuration:</b>	Split Bobbin, Open Frame Design with Welded Laminations & Enclosed Windings
<b>Mounting(s):</b>	Foot Mounts
<b>Primary Connections:</b>	UL 1015 Insulated 18AWG Lead Wires, 8" Long, .375" ends Stripped & Tinned
<b>Secondary Connections:</b>	UL 1015 Insulated 18AWG Lead Wires, 8" Long, .375" ends Stripped & Tinned
<b>Insulation System:</b>	UL 1446 Recognized Component Class B Insulation System PG125 (130°C, 266°F)
<b>Agency Approvals:</b>	UL 1585 / UL 5085-1 / UL 5085-3 Listed for USA & Canada. Class 2 Transformer

