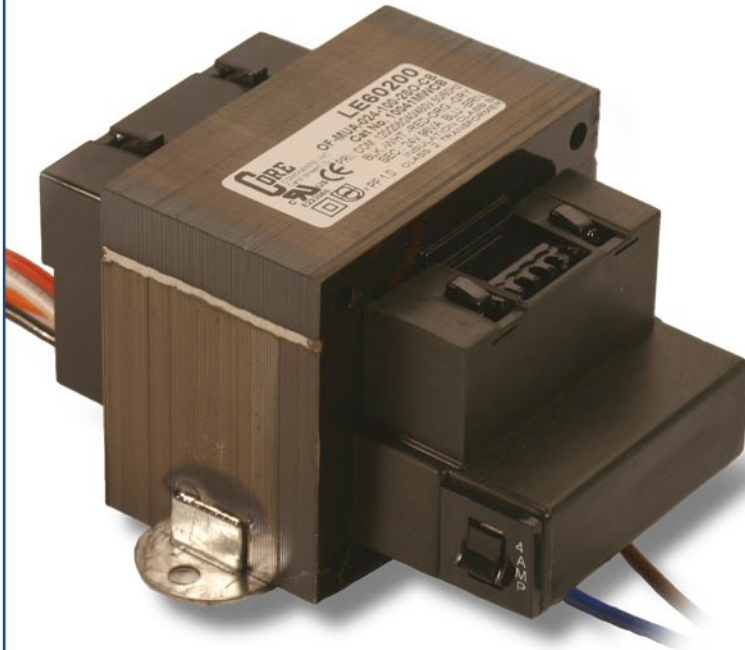


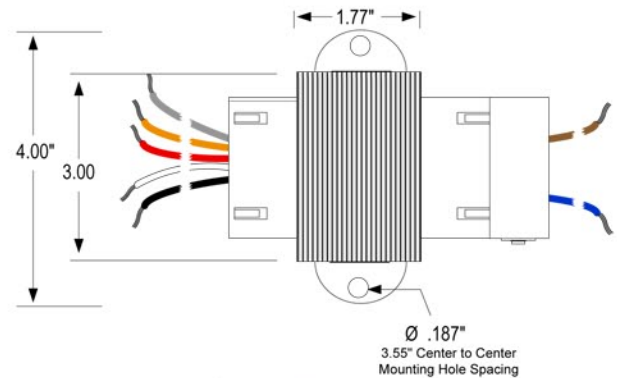
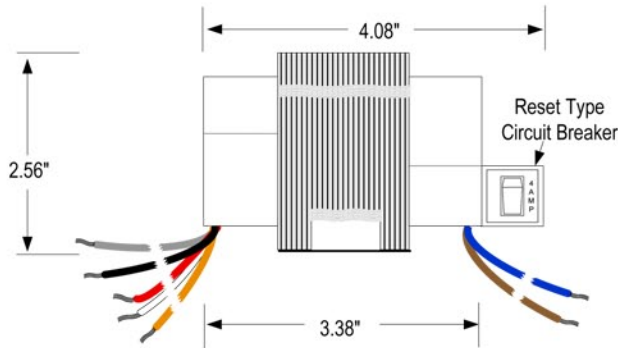
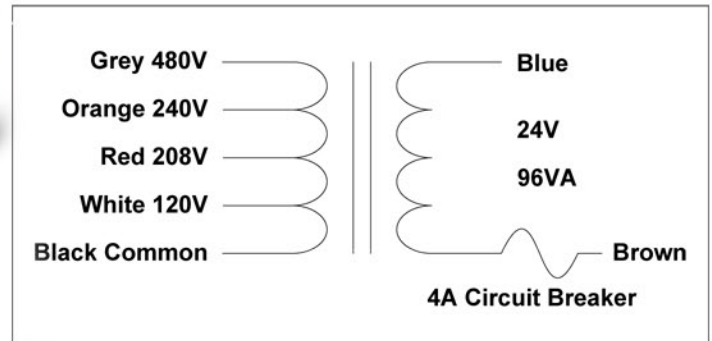
OPEN FRAME TRANSFORMER

LE60200

OF-MUA-024-100-2SO-CB



96_{Va}



SPECIFICATIONS

Input:	120/208/240/480Vac
Output:	24 Vac
VA Rating:	96 VA
Frequency:	50/60Hz
Circuit Protection:	Manually Reset Circuit Breaker
Configuration:	Split Bobbin, Open Frame Design with Welded Laminations & Enclosed Windings
Mounting(s):	Foot Mounts
Primary Connections:	UL 1015 Insulated 18AWG Lead Wires, 8" Long, .375" ends Stripped & Tinned
Secondary Connections:	UL 1015 Insulated 18AWG Lead Wires, 8" Long, .375" ends Stripped & Tinned
Insulation System:	UL 1446 Recognized Component Class B Insulation System PG125 (130°C, 266°F)
Agency Approvals:	UL 1585 / UL 5085-1 / UL 5085-3 Listed for USA & Canada. Class 2 Transformer

